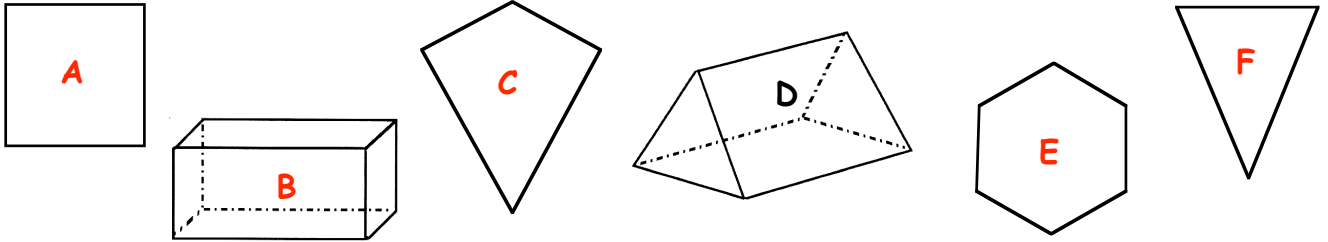


**Chapter 8**



**Exercise 1**

1. Look at each shape below :-

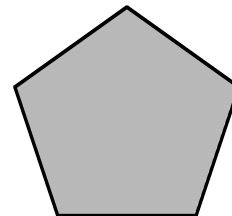


- a Which of the shapes are two dimensional ?
- b Make a neat sketch of each of the **two dimensional** shapes above.
- c Write down the name of each shape beside your sketches.
- d Write down the name of 3 more **two dimensional** shapes.

2. Write down how many **edges** and how many **corners** there are in a :-

- a square      b rectangle      c triangle      d hexagon

3. a Name this shape. \_\_\_\_\_ →



- b How many edges does this shape have ?
- c How many corners does this shape have ?

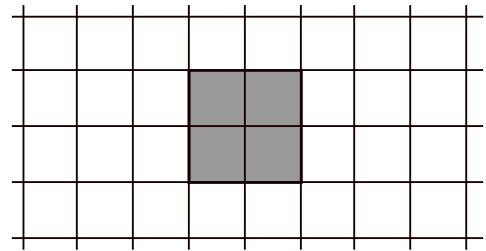
4. Write down what shapes are used to make the following :-

a 3 - rectangles  
... - squares  
... - triangles  
... - .....

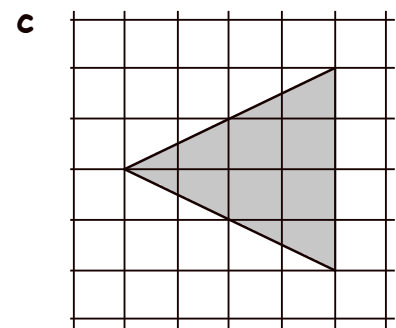
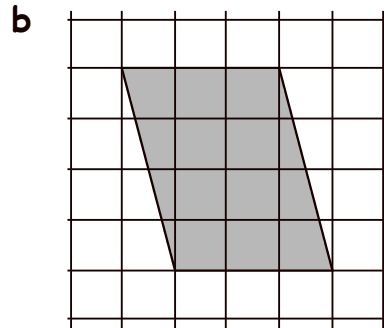
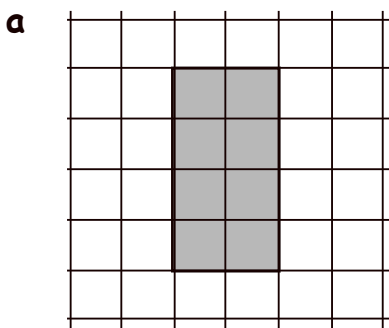
b ... rectangles  
... squares  
... triangles  
... ..  
... ..

**Exercise 2**

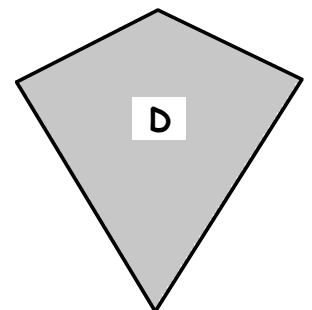
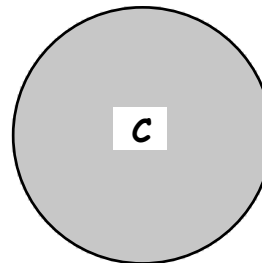
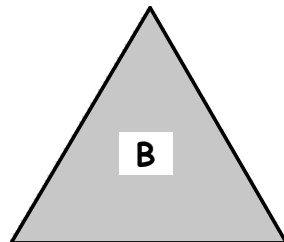
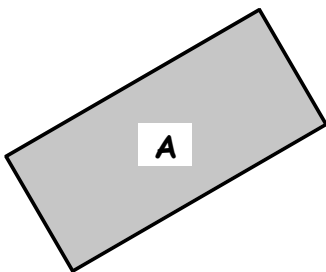
1.
  - a Draw this square in your jotter.
  - b Shade or colour the shape neatly.
  - c Draw 10 more of these shapes around it to show how it "tiles" the page.



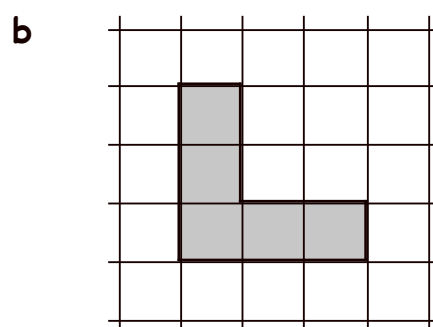
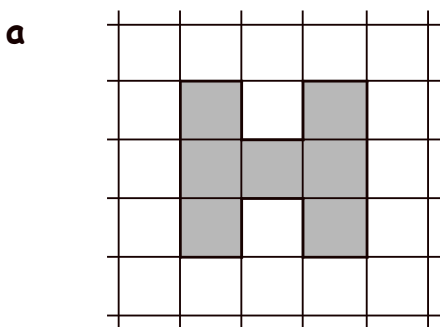
2. Show how each shape below "tiles" a page by surrounding it with at least ten identical tiles.



3. Which of these shapes would NOT make good tiles :-



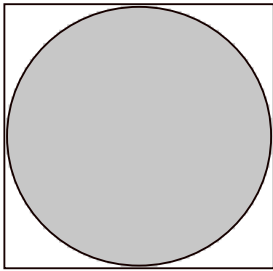
4. These are harder !  
Show how each shape can tile the page.



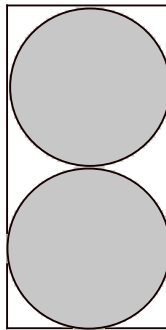
## Exercise 3

1.
  - a Use a cup or a mug to draw a **large circle**.
  - b Draw a **diameter** line on your circle and label it "diameter".
  - c Draw a **radius** on your circle and label it "radius".
2. Use a coin and a ruler or straight edge to (neatly) draw each diagram :-

a



b



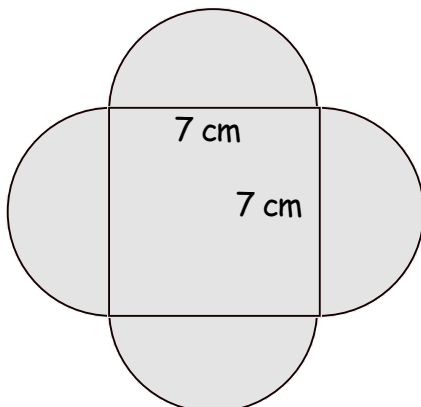
c



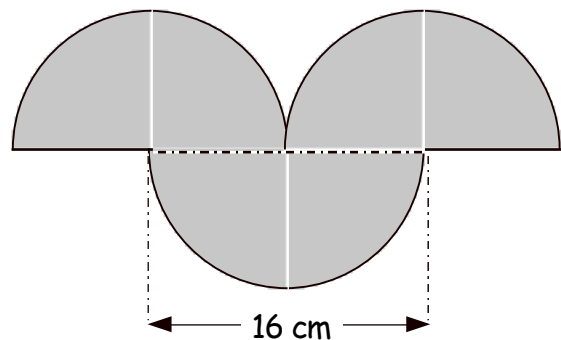
## Exercise 4 (You need a pair of compasses and a ruler)

1.
  - a Use your compasses to draw a neat circle with radius 4 centimetres.
  - b Draw in the radius and mark it 4 cm.
2. Use your compasses to draw a circle with a radius :-
  - a 3 cm
  - b 5 cm
  - c  $2\frac{1}{2}$  cm
  - d  $4\frac{1}{2}$  cm.
3. These are harder ! Draw each shape accurately.

a



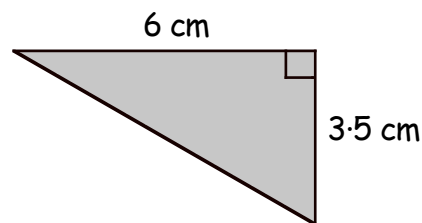
b 3 identical semicircles.



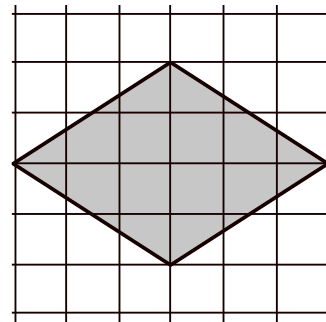
## Revision Exercise

1.
  - a Write down the name of **five** two dimensional shapes.
  - b Write down the name of **four** three dimensional shapes.
2. How many **edges** and how many **corners** are there in a :-
  - a square
  - b triangle
  - c pentagon
  - d octagon ?
3. List all the two dimensional shapes used to make a **square based pyramid**.

4. Make a full size accurate drawing of this triangle :-



5. Show that this shape will "tile" by drawing at least six identical shapes around it.



6.
  - a Use a pair of compasses to draw a circle with radius 6 centimetres.
  - b Show on your circle :- (i) a radius (ii) a diameter.
  - c Write down the length of the diameter.
7. Draw accurately each shape shown below :-

